

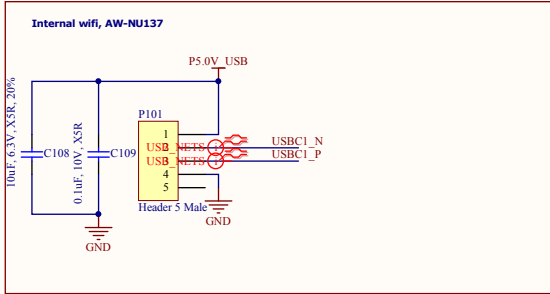
Please see the HDK license agreement for terms of use at <http://www.chumby.com/legal/developer>



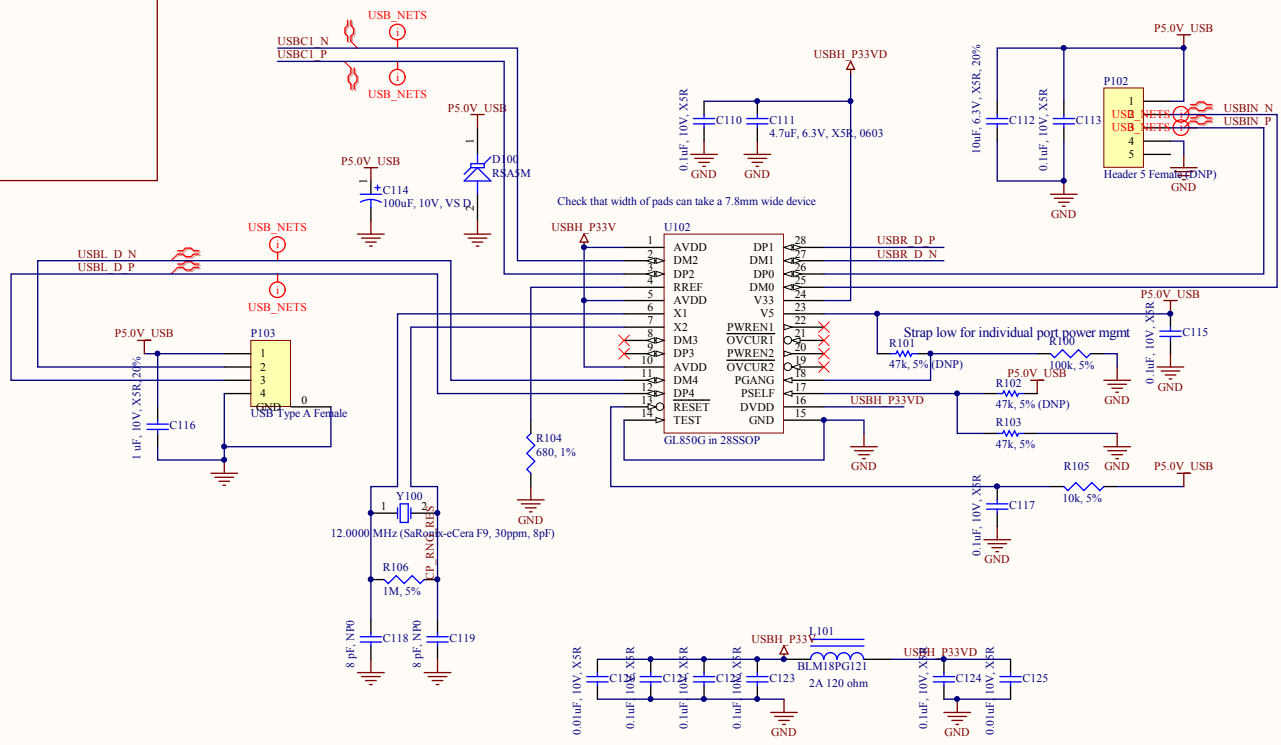
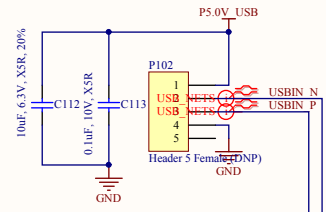
Copyright 2011 Chumby Industries

Title: Silvermoon NeTV breakout board v1

Size	Number	Revision
B		
Date:	9/6/2011	Sheet of
File:	C:\largework\connectors.SchDoc	Drawn By:



Mechanical footprint for AW-NU-137



Please see the HDK license agreement for terms of use at <http://www.chumby.com/legal/developer>



Copyright 2011 Chumby Industries		
Silvermoon NeTV breakout board v1		
Title	Number	Revision
B		
Date:	9/6/2011	Sheet of
File:	C:\largework\usb.SchDoc	Drawn By: